

STANDARD FEATURES

- Available in 40mm, 50mm, 63mm and 100mm sizes
- Stainless steel case and ring with plastic window
- 1/8" NPT back connection available in 40mm size; 1/4" NPT lower and back connection available in 50mm and 63mm sizes; 1/4" NPT lower connection available in 100mm size
- Dual scale dials with bar/kPa in blue (inner scale); psi in black (outer scale); on white background
- Panel mount kits available

CATALOG NUMBERS

Dial Size	40mm	50mm		63mm		100mm
Connection Location	Back	Back	Bottom	Back	Bottom	Bottom
Connection NPT	1/8"	1/4"	1/4"	1/4"	1/4"	1/4"
Range (psi/bar/kPa)						
30"70/ vac. and -1/0 bar(-100/0 kPa)	BY40YVC8CW	—	—	BY42YVC4CW	BY42YVC4LW	BY45YVC4LW
30"70/30 psi and -1/0/2 bar (-100/0/200 kPa)	—	—	—	BY42YCB4CW	BY42YCB4LW	—
30"70/60 psi and -1/0/4 bar (-100/0/400 kPa)	—	—	—	BY42YCC4CW	BY42YCC4LW	BY45YCC4LW
30"70/150 psi and -1/0/10 bar (-100/0/1000 kPa)	—	—	—	BY42YCE4CW	BY42YCE4LW	—
0-15 psi and 0/1 bar (100 kPa)	—	—	—	BY42YPC4CW	BY42YPC4LW	—
0-30 psi and 0/2 bar (200 kPa)	BY40YPD8CW	BY41YPD4CW	—	BY42YPD4CW	BY42YPD4LW	BY45YPD4LW
0-60 psi and 0/4 bar (400 kPa)	BY40YPE8CW	BY41YPE4CW	—	BY42YPE4CW	BY42YPE4LW	BY45YPE4LW
0-100 psi and 0/7 bar (700 kPa)	—	BY41YPF4CW	BY41YPF4LW	BY42YPF4CW	BY42YPF4LW	BY45YPF4LW
0-160 psi and 0/11 bar (1100 kPa)	BY40YPG8CW	BY41YPG4CW	BY41YPG4LW	BY42YPG4CW	BY42YPG4LW	BY45YPG4LW
0-200 psi and 0/14 bar (1400 kPa)	—	—	—	BY42YPH4CW	BY42YPH4LW	—
0-300 psi and 0/21 bar (2100 kPa)	BY40YPJ8CW	BY41YPJ4CW	—	BY42YPJ4CW	BY42YPJ4LW	BY45YPJ4LW
0-600 psi and 0/42 bar (4200 kPa)	—	—	—	BY42YPM4CW	BY42YPM4LW	—
0-1000 psi and 0/70 bar (7000 kPa)	—	—	BY41YPP4LW	BY42YPP4CW	BY42YPP4LW	BY45YPP4LW
0-2000 psi and 0/140 bar (14,000 kPa)	—	—	—	BY42YPS4CW	BY42YPS4LW	—
0-3000 psi and 0/210 bar (21,000 kPa)	—	—	—	BY42YPT4CW	BY42YPT4LW	BY45YPT4LW
0-5000 psi and 0/350 bar (35,000 kPa)	—	—	—	BY42YPV4CW	BY42YPV4LW	BY45YPV4LW
0/10,000 psi and 0/700 bar (70,000 kPa)	—	—	—	BY42YPY4CW	BY42YPY4LW	BY45YPY4LW

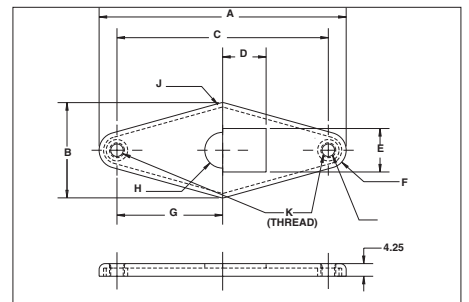
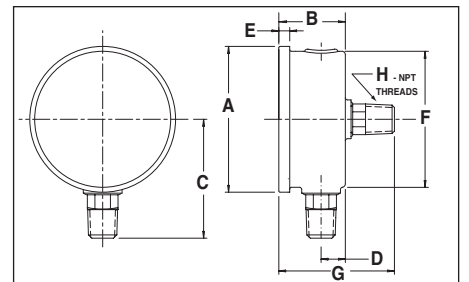
To order: specify 10-digit "catalog number" from above table. For panel mount gauges (back connection only) add "-UC" to 10-digit catalog number.

GAUGE DIMENSIONS BY40Y, BY41Y, BY42Y, BY45Y

Lower Connection Gauge Size/Type		A	B	C	D-1/4"	E	F	
50 mm	BY41Y	Inch	2.21	1.11	1.86	0.37	0.19	
		mm	56	28	47	9	5	
63 mm	BY42Y	Inch	2.62	1.13	2.08	0.39	0.22	
		mm	66	29	53	10	5	
100 mm	BY45Y	Inch	4.29	1.42	3.14	0.46	0.29	
		mm	109	36	80	12	7	
Back Connection Gauge Size/Type		A	B	F	G	H		
40 mm	BY40Y	Inch	1.78	1.00	1.61	1.62	1/8"	
		mm	45	25	41	41		
50 mm	BY41Y	Inch	2.21	1.11	2.02	2.05	1/4"	
		mm	56	28	51	52		
63 mm	BY42Y	Inch	2.62	1.13	2.45	2.05	1/4"	
		mm	66	29	62	52		

PANEL MOUNT ASSEMBLY DIMENSIONS FOR 40mm, 50mm, 63mm GAUGES

Part No.	A	B	C	D	E	F	G	H	J	K	
40mm Clamp	Inch	2.36	1.02	189	0.45	0.44	0.94	0.94	0.20	0.10	M5X0.8
	mm	60	26	48	11.6	11.3	24	24	5	2.50	M5X0.8
50mm Clamp	Inch	2.83	1.26	236	0.57	0.56	0.47	1.18	0.24	0.10	M5X0.8
	mm	72	32	60	14.6	14.2	30	72	6	2.50	M5X0.8
63mm Clamp	Inch	3.27	1.26	280	0.57	0.56	0.47	1.40	0.24	0.10	M5X0.8
	mm	83	32	71	14.6	14.2	12	35.5	6	2.50	M5X0.8



PANEL MOUNT PART NUMBER

ITEM - NO.
U-clamp 40
U-clamp 50
U-clamp 63